

# Stat-X<sup>®</sup>

## Aerosol Fire Suppression

### PRODUCT CATALOG





## Aerosol Fire Suppression

The Stat-X® fire suppression product offerings protect a wide range of special hazard applications, and we also offer a portable area fire protection device, the Stat-X First Responder® fire suppression tool (FST) for use for by professional first responders and trained operators.

This catalog was created to help simplify the selection and ordering of components for an integrated Stat-X fire detection and suppression system and to show photos to help recognize various system and individual components.

Our fire detection and suppression systems are designed and installed by one of our trained and certified distributor partners.

## Table of Contents

Thermal, Manual, and Thermal/Manual Generators.....	6
Thermal/Manual Operated Generators.....	7
Thermal Actuation Heads.....	9
Manual (Pull) Actuation Heads.....	9
Thermal with Manual Override Actuation Heads.....	10
Thermal Switch Clip Assembly.....	11
Cable Pull Assemblies.....	12
Electrical Generators.....	16
Electrically Operated Generators.....	17
Electric Generator Series for Classified Hazardous Areas.....	20
Stat-X <sup>®</sup> EX Electric Generator Series for Classified Hazardous Areas.....	21
Electrical Units for Hazardous Locations - Standard.....	22
Electrical Units for Hazardous Locations - Metric.....	22
System Signs.....	28
Signage.....	28
Generator Mounting Brackets.....	33
Mounting Brackets.....	33
External Mounting Bracket.....	36
Penetrator Bracket Assemblies.....	37
Accessories.....	40
Cable Adapter.....	40
Generator Protective Covers.....	41
Stat-X Fire Detection Systems/Devices.....	42
Control Panels and Associated Components.....	43
Potter PFC-4410RC Fire Suppression System Control Panel.....	43
Potter Control Panel Batteries.....	44
Relay Modules.....	44
Switches.....	45
Conventional Fire Alarm Pull Stations.....	46
Powered Spot-Type Conventional Fire Detectors.....	49



## Aerosol Fire Suppression

Thermotech Conventional Spot-Type Heat Detectors.....	50
Potter Horn/Strobes.....	51
Potter Releasing Control Accessories.....	52
Ematch Protection Device.....	52
LED Test Device.....	53
Test Match.....	53
Potter ARC-100 Fire Alarm Control Panel.....	54
Potter Control Panel Batteries.....	56
Sigma A-XT Extinguishant Control Panel.....	57
Sigma XT Extinguishant Control Panel.....	58
Sigma XT+ Multi-Area Extinguishant Control Panels.....	59
Compact Control Panels.....	60
Solo Ultra Control Panel.....	60
μ-FEP Fire Detection & Extinguishing Control Panel with an Integrated UPS.....	61
Advantage <sup>Li</sup> Control Panel.....	62
Advantage <sup>DC</sup> Control Panel.....	63
SDRP Panel.....	64
Control Panel Comparison.....	66
Protectowire Linear Heat Detection Wire.....	67
Protectowire Splicing Connectors and Termination devices.....	68
Protectowire General Purpose Fasteners.....	70
Protectowire Cable Tray Mounting Clips.....	72
Protectowire Sprinkler Pipe Mounting Hardware.....	73
Systems Enclosure Application Worksheet.....	74
Special Hazard Applications.....	75
Stat-X First Responder®.....	76
Special Hazard Applications.....	79
Marine Applications.....	80
Thermal, Manual, and Thermal/Manual Generators.....	81
Thermal/Manual Operated Generators.....	82
Thermal Actuation Heads.....	84

Manual (Pull) Actuation Heads .....	84
Thermal with Manual Override Actuation Heads .....	85
Generator Mounting Brackets .....	85
Mounting Brackets .....	86
Linear Heat Detection Equipment.....	87
Pull Station and Accessories .....	87
Conduit and Mounting Options.....	88
Conduit Tool.....	88
Advantage <sup>Li</sup> Control Panel.....	89



## Thermal, Manual, and Thermal/Manual Generators

## Thermal/Manual Operated Generators

These are our automatic units which are thermally activated. They self-activate when they reach a pre-selected temperature which is determined by the thermal head temperature chosen.

They can also be configured to activate manually with a cable pull system. See page 13-15.

Part Number	Description
<b>15300</b>	30T generator
<b>15310*</b>	60T generator *
<b>15311</b>	60MT generator
<b>15410</b>	100T generator
<b>15510</b>	250T generator
<b>15511</b>	250MT generator
<b>15610</b>	500T generator
<b>15710</b>	1000T generator
<b>15711</b>	1000MT generator *

30T Generator  
PN: 15300



60T Generator \*special applications only  
PN: 15310



60MT Generator  
PN: 15311



100T Generator  
PN: 15410





**Aerosol Fire Suppression**

250T Generator  
PN: 15510



250MT Generator  
PN: 15511



500T Generator  
PN: 15610



1000T Generator  
PN: 15710



1000MT Generator *\*special applications only*  
PN: 15711





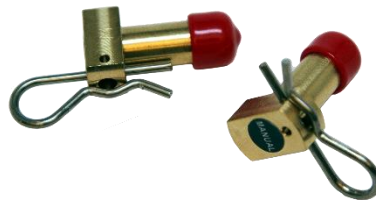
## Thermal Actuation Heads

Part Number	Description
20142	Head, Thermal Actuation, 158°F/70°C, aluminum
20143	Head, Thermal Actuation, 203°F/95°C, aluminum
20144	Head, Thermal Actuation, 254°F/123°C, aluminum
20152	Head, Thermal Actuation, 158°F/70°C, brass
20153	Head, Thermal Actuation, 203°F/95°C, brass
20154	Head, Thermal Actuation, 254°F/123°C, brass



## Manual (Pull) Actuation Heads

Part Number	Description
14654	Manual head, vertical pull, brass
14655	Manual head, horizontal pull, brass



## Thermal with Manual Override Actuation Heads

Part Number	Description
20102	M/T Head 158°F/70°C horizontal pull, aluminum
20103	M/T Head 158°F/70°C vertical pull, aluminum
20104	M/T Head 203°F/95°C horizontal pull, aluminum
20105	M/T Head 203°F/95°C vertical pull, aluminum
20106	M/T Head 254°F/123°C horizontal pull, aluminum
20107	M/T Head 254°F/123°C vertical pull, aluminum
20112	M/T Head 158°F/70°C horizontal pull, brass
20113	M/T Head 158°F/70°C vertical pull, brass
20114	M/T Head 203°F/95°C horizontal pull, brass
20115	M/T Head 203°F/95°C vertical pull, brass
20116	M/T Head 254°F/123°C horizontal pull, brass
20117	M/T Head 254°F/123°C vertical pull, brass



## Thermal Switch Clip Assembly

Part Number	Description
18220	Thermal switch clip assembly 257°F/ 125°C, 2", normally open
18221	Thermal switch clip assembly 257°F/ 125°C, 3", normally open
18222	Thermal switch clip assembly 257°F/ 125°C, 5", normally open
18225	Thermal switch clip assembly 257°F/ 125°C, 2", normally closed
18226	Thermal switch clip assembly 257°F/ 125°C, 3", normally closed
18227	Thermal switch clip assembly 257°F/ 125°C, 5", normally closed

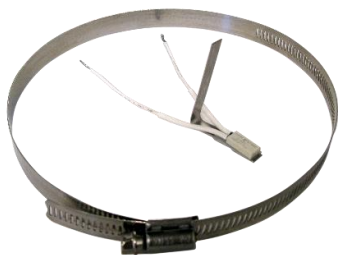
Thermal Switch Clip Assembly, 2"  
PN: 18220/18225 2"



Thermal Switch Clip Assembly, 3"  
PN: 18221/18226



Thermal Switch Clip Assembly, 5"  
PN: 18222/18227



Thermal Switch Clip Assembly, 8"  
PN: 18223/18228



The thermal switches are used with the thermally actuated Stat-X generators. It provides a dry contact interface point for shutting down process equipment and/or HVAC equipment in a protected area or to monitor a Stat-X generator for notification that it has discharged. The thermal switches are one-time use devices that should be attached to the (discharge) port end of a Stat-X generator. When the generator discharges the heat of the aerosol agent and the generator will activate the switch.

## Cable Pull Assemblies

Part Number	Description
14682	300°F 3ft cable pull assembly, red T-handle
14681	300°F 12ft cable pull assembly, red T-handle
14667	300°F 40ft cable pull assembly, red T-handle
14668	300°F 12ft cable pull assembly, extender
14669	300°F 40ft cable pull assembly, extender
14686	200°F 3ft cable pull assembly, black T-handle
14689	200°F 6ft cable pull assembly, black T-handle
14687	200°F 12ft cable pull assembly, black T-handle
14688	200°F 40ft cable pull assembly, black T-handle
14683	Weather-resistant plastic wall-mount cover box
14663	Cable tee pulley
14685	Oval sleeve SS (10-pk)
14664	Oval sleeve tin-plated copper (50-pk)
14684	Steel 3" corner L-brackets (for 300°F cables only)
14698	Recessed stainless open cup

Stainless oval sleeve crimp 300°F rated bowden cable pull rope with red T-handle & extender cable rope.



Cable pull end is looped through the T-model activator cotter pin manual release and crimped with a choice of stainless or tin-plated copper oval sleeve. Cable bulkhead fittings must be properly anchored. The thermal switch is an optional electrical contact to indicate released status.

This is the 200°F rated bowden pull cable with black T-handle.



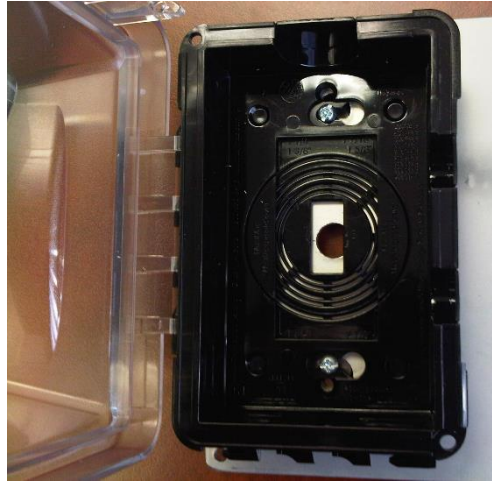
Cable tee pulley (PN 14663) will accept a T-handle pull cable as input and two extender cables as outputs. This permits one T-handle to pull the cotter pins of 2 thermal/manual head activators. Tiered use of multiple tee pulleys is possible.





## Aerosol Fire Suppression

Cable pull polycarbonate cover box includes a clear cover. This box is intended for bulkhead surface mount and includes vertical and horizontal hinges for snap-on cover. Cover can be locked or fitted with breakable tamper seal (not supplied). T-handle cables have removable knobs and bulkhead fittings for penetration mounting.



Recessed stainless steel open cup (PN: 14698) can be used with black T-handle cable pull for use with consoles.



Please refer to our thermal/manual owner's manual and the automatic design manual for more technical information.



## Electrical Generators



## Electrically Operated Generators

These electrically operated generators (“E” models) need to be part of a fire system including detection and controls. They are designed with a fire alarm/releasing panel.

Part Number	Description
15100	30E generator
15110	60E generator*
15111	60ME generator
15120	100E generator
15130	250E generator
15530	250ME generator
15140	500E generator
15150	1000E generator
15550	1000ME generator
15160	1500E generator
15170	2500E generator

30E Generator  
PN: 15100



60E Generator \*specific applications only  
PN: 15110



60ME Generator  
PN: 15111



100E Generator  
PN: 15120





**Aerosol Fire Suppression**

250E Generator  
PN: 15130



250ME Generator  
PN: 15530



500E Generator  
PN: 15140



1000E Generator  
PN: 15150



1000ME Generator  
PN: 15550



1500E Generator  
PN: 15160



2500E Generator  
PN: 15170



Please refer to our electric generator owner's manual and the electric design and installation manual for more technical information.

# **Stat-X<sup>®</sup> EX**

**Aerosol Fire Suppression**



## **Electric Generator Series for Classified Hazardous Areas**

## **Stat-X<sup>®</sup> EX Electric Generator Series for Classified Hazardous Areas**

With our UL Class I, Division 2, UL ATEX certificate, and UL IECEx certificate, Stat-X EX electric operated aerosol fire suppression units are now certified to be in enclosed environments classified as a hazardous area. These units are certified by UL and are authorized to bear the both the UL Listing mark for Canada and the United States, Class I, Division 2, as well as IECEx, and the ATEX mark.

This certification does not include the Stat-X thermal/manual operated units nor the Stat-X First Responder<sup>®</sup> portable devices.

This product line will be referred to as our Stat-X EX Electric model aerosol fire suppression units. This product line complements, but does not supersede, our current line of UL/ULC listed E-model Stat-X aerosol fire suppression units. The Stat-X EX Electric final product is fitted with a choice of factory installed 3/4" NPT or M25x1.5mm male stainless steel or brass 90° elbow threaded connections.

This product line is applicable for all of our current applications (<https://www.statx.com/applications/>) with the exception of the explosive dust concentrate areas.

Protect your hazardous area with our automatic fixed fire suppression systems in the following industries.

- Onshore Oil & Gas
- Military
- Power Generation
- Flammable Liquid and Hazardous Material Storage
- Battery Storage
- Laboratories
- Painting
- Transportation



### Electrical Units for Hazardous Locations - Standard

Part Number	Description
11880	Stat-X EX, 30E, CLI DIV2/Zone 2, brass 90° elbow, ¾ NPT
11890	Stat-X EX, 60E, CLI DIV2/Zone 2, brass 90° elbow, ¾ NPT
11900	Stat-X EX, 60ME, CLI DIV2/Zone 2, brass 90° elbow, ¾ NPT
11910	Stat-X EX, 100E, CLI DIV2/Zone 2, brass 90° elbow, ¾ NPT
11920	Stat-X EX, 250E, CLI DIV2/Zone 2, brass 90° elbow, ¾ NPT
11930	Stat-X EX, 500E, CLI DIV2/Zone 2, brass 90° elbow, ¾ NPT
11940	Stat-X EX, 1000E, CLI DIV2/Zone 2, brass 90° elbow, ¾ NPT
11950	Stat-X EX, 1500E, CLI DIV2/Zone 2, brass 90° elbow, ¾ NPT
11960	Stat-X EX, 2500E, CLI DIV2/Zone 2, brass 90° elbow, ¾ NPT
11885	Stat-X EX, 30E, CLI DIV2/Zone 2, 316SS 90° elbow, ¾ NPT
11895	Stat-X EX, 60E, CLI DIV2/Zone 2, 316SS 90° elbow, ¾ NPT
11905	Stat-X EX, 60ME, CLI DIV2/Zone 2, 316SS 90° elbow, ¾ NPT
11915	Stat-X EX, 100E, CLI DIV2/Zone 2, 316SS 90° elbow, ¾ NPT
11925	Stat-X EX, 250E, CLI DIV2/Zone 2, 316SS 90° elbow, ¾ NPT
11935	Stat-X EX, 500E, CLI DIV2/Zone 2, 316SS 90° elbow, ¾ NPT
11945	Stat-X EX, 1000E, CLI DIV2/Zone 2, 316SS 90° elbow, ¾ NPT
11955	Stat-X EX, 1500E, CLI DIV2/Zone 2, 316SS 90° elbow, ¾ NPT
11965	Stat-X EX, 2500E, CLI DIV2/Zone 2, 316SS 90° elbow, ¾ NPT

### Electrical Units for Hazardous Locations - Metric

Part Number	Description
11880M	Stat-X EX, 30E, CLI DIV2/Zone 2, brass 90° elbow, M25
11890M	Stat-X EX, 60E, CLI DIV2/Zone 2, brass 90° elbow, M25
11900M	Stat-X EX, 60ME, CLI DIV2/Zone 2, brass 90° elbow, M25
11910M	Stat-X EX, 100E, CLI DIV2/Zone 2, brass 90° elbow, M25
11920M	Stat-X EX, 250E, CLI DIV2/Zone 2, brass 90° elbow, M25
11930M	Stat-X EX, 500E, CLI DIV2/Zone 2, brass 90° elbow, M25
11940M	Stat-X EX, 1000E, CLI DIV2/Zone 2, brass 90° elbow, M25
11950M	Stat-X EX, 1500E, CLI DIV2/Zone 2, brass 90° elbow, M25
11960M	Stat-X EX, 2500E, CLI DIV2/Zone 2, brass 90° elbow, M25
11885M	Stat-X EX, 30E, CLI DIV2/Zone 2, 316SS 90° elbow, M25
11895M	Stat-X EX, 60E, CLI DIV2/Zone 2, 316SS 90° elbow, M25
11905M	Stat-X EX, 60ME, CLI DIV2/Zone 2, 316SS 90° elbow, M25
11915M	Stat-X EX, 100E, CLI DIV2/Zone 2, 316SS 90° elbow, M25
11925M	Stat-X EX, 250E, CLI DIV2/Zone 2, 316SS 90° elbow, M25
11935M	Stat-X EX, 500E, CLI DIV2/Zone 2, 316SS 90° elbow, M25
11945M	Stat-X EX, 1000E, CLI DIV2/Zone 2, 316SS 90° elbow, M25
11955M	Stat-X EX, 1500E, CLI DIV2/Zone 2, 316SS 90° elbow, M25
11965M	Stat-X EX, 2500E, CLI DIV2/Zone 2, 316SS 90° elbow, M25

These are available from the 30 gram to the 2500 gram units, except the 250ME.

Stainless Steel



Brass





**Aerosol Fire Suppression**

Stat-X EX, 30E Generator  
PN: 11880 or 11880M (brass)



Stat-X EX, 60E Generator  
PN: 11890 or 11890M (brass)



Stat-X EX, 60ME Generator  
PN: 11900 or 11900M (brass)



Stat-X EX, 100E Generator  
PN: 11910 or 11910M (brass)



Stat-X EX, 250E Generator  
PN: 11920 or 11920M (brass)





Stat-X EX, 500E Generator  
PN: 11930 or 11930M (brass)



Stat-X EX, 1000E Generator  
PN: 11940 or 11940M (brass)



Stat-X EX, 1500E Generator  
PN: 11950 or 11950M (brass)



Stat-X EX, 2500E Generator  
PN: 11960 or 11960M (brass)



Please refer to our ATEX/EEC Ex Zone 2 and Class I Division 2 Design, Installation, Operation, and Maintenance Manual (PN: 19017) for more technical information.



**Aerosol Fire Suppression**

Stat-X EX, 60E Generator  
PN: 11885 or 11885M (SS)



Stat-X EX, 60E Generator  
PN: 11895 or 11895M (SS)



Stat-X EX, 60E Long Generator  
PN: 11905 or 11905M (SS)



Stat-X EX, 100E Generator  
PN: 11915 or 11915M (SS)



Stat-X EX, 250E Generator  
PN: 11925 or 11925M (SS)



Stat-X EX, 500E Generator  
PN: 11935 or 11935M (SS)



Stat-X EX, 1000E Generator  
PN: 11945 or 11945M (SS)



Stat-X EX, 1500E Generator  
PN: 11955 or 11955M (SS)



Stat-X EX, 2500E Generator  
PN: 11965 or 11965M (SS)



Please refer to our ATEX/EEC Ex Zone 2 and Class I Division 2 Design, Installation, Operation, and Maintenance Manual (PN: 19017) for more technical information.

## System Signs

### Signage

These are our typical warning signs. You can find these in our design manual. If you are complying with a standard, please make sure you are familiar-with the requirements for installation and design to ensure you meet the requirements for the fire protection system.

This information is provided in the standard.

All signs have rounded corners.

Part Number	Description
16050	Exit Sign
16052	Isolate Switch Sign
16053	Manual Pull Station Sign
16055	Abort Switch Sign
16100	Evacuate Sign
16103	Discharge Station
16104	Event Sign, small
16105	Event Sign, large

Exit Sign  
PN: 16050



System Isolate Sign

PN: 16052



Manual Pull Station Sign

PN: 16053





Aerosol Fire Suppression

Abort Sign

PN: 16055



Evacuate Sign

PN: 16100

5 1/2" x 3 1/2"



Only for use with the E-models if the marine panel is connected to marine fire detectors.

Discharge Sign  
PN: 16103  
3 3/4" x 2 1/2"



Event Sign, small  
PN: 16104  
3 1/4" x 3 1/4"





**Aerosol Fire Suppression**

Event Sign, large

PN: 16105

3 1/2" x 5 1/2"





## Generator Mounting Brackets

Bracket Size	Electrical Generators	Thermal Generators
2" Bracket	30E, 60E, 60ME	30T, 60T, 60MT
3" Bracket	100E, 250ME	100T, 250MT
5" Bracket	250E, 500E, 1000ME	250T, 500T, 1000MT
8" Bracket	1000E, 1500E, 2500E	N/A

The standard bracket is used for building applications.

The heavy-duty bracket is used for transportation applications. It has a reinforced band clamp. This band clamp over the sleeve reinforces it in shock and vibration applications.

Part Number	Description
<b>18001</b>	2" Bracket
<b>18002</b>	2" Bracket – single mount
<b>18005</b>	3" Bracket
<b>18006</b>	3" Bracket – heavy duty
<b>18010</b>	5" Bracket
<b>18011</b>	5" Bracket – heavy duty
<b>18015</b>	8" Bracket
<b>18016</b>	8" Bracket – heavy duty
<b>18274</b>	8" Penetrator bracket for ceiling/roof mount (double wall) with sunshield
<b>18275</b>	8" Wall Penetrator bracket – sidewall mount
<b>18283 A</b>	Standard unit clamp (default with PN 18275)
<b>18283 B</b>	Sunshield unit clamp (default with PN 18275 B)
<b>18288</b>	Rupture diaphragm (replacement Mylar membrane)

### Mounting Brackets

2" Mounting Bracket fits 30T/E & 60T/E, 60ME, and 60MT generators

PN: 18001 Only available in standard.



PN: 18002 Standard Single Mount



3" Mounting Bracket – Fits 100T/E & 250MT/ME generators

Standard  
PN: 18005



Heavy Duty  
PN: 18006



5" Mounting Bracket fits 250T/E, 500T/E, and 1000MT/ME generators

Standard  
PN: 18010



Heavy Duty  
PN: 18011



8" Mounting Bracket fits 1000E, 1500E, 2500E generators

Standard  
PN: 18015



Heavy Duty  
PN: 18016



Refer to the appropriate owner's manual and design & installation manual for proper clearance zones, mounting configurations, and installation guidelines.



Aerosol Fire Suppression

## External Mounting Bracket

Part Number	Description	Generator Compatibility
18201	2" External Bracket	30T, 30E, 60T, 60MT, 60E
18205	3" External Bracket	100T, 250MT
18210	5" External Bracket	250T, 250E, 500T, 500E, 1000MT, 1000ME

2" external mounting bracket  
PN: 18201



3" external mounting bracket  
PN: 18205



5" external mounting bracket.  
PN: 18210



## Penetrator Bracket Assemblies

Part Number	Description	Generator Compatibility
18274	Eight (8) Inch Double-Wall Penetrator Assembly Ceiling Mount	Penetrator bracket assembly for 1000E, 1500E, and 2500E Stat-X generators only

### Description

Stat-X<sup>®</sup> 8-inch wall penetrator assembly devices are intended for special mounting of Stat-X model 2500E electrical activated generators externally of protected enclosures. This device is intended for use in applications where the protected area is potentially filled with flammable gases or processes with mist or airborne fluids that can coat and plug the generator orifice plate. This assembly is intended for vertical mounting. An oversized unit clamp plate is provided to function as a sunshield.



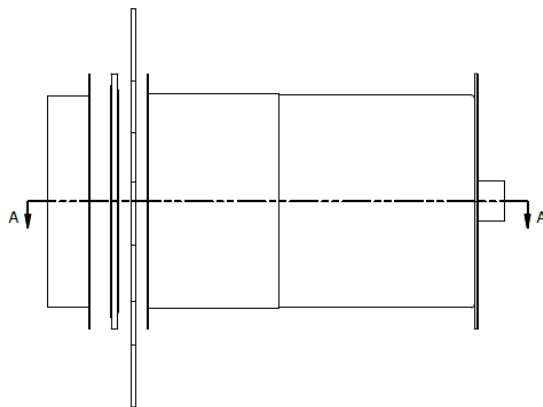
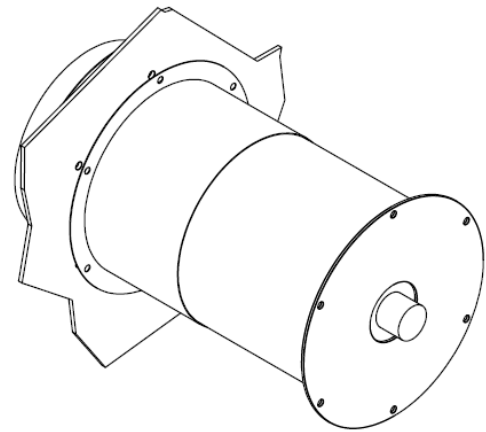
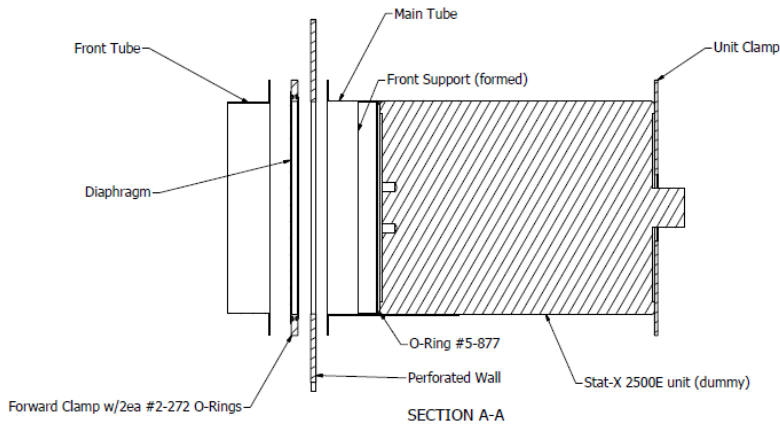


Aerosol Fire Suppression

Part Number	Description	Generator Compatibility
18275	Eight (8) Inch Penetrator Assembly Wall Mount	Penetrator bracket assembly for 1000E, 1500E, and 2500E Stat-X generators only

This bracket is used to mount Stat-X generators in a sidewall of the protected space, so the generator is outside of the area.

There is extra threaded rod length to accommodate wall thickness variations.



Not shown are 6ea 1/4-20 Tie-rods and nuts



## Accessories

### Cable Adapter

Cable adapter 3/4" NPT  
PN: 14640



The cable adapter can be used for connecting releasing circuit wiring from a junction box to the 3/4" threaded coupling on electrically operated Stat-X generators. It has a cable gland that will tighten around the releasing circuit wiring.



## Generator Protective Covers

Part Number	Description	Electrical Generators	Thermal Generators
14810	Protective cover, 2"	30E, 60E, 60ME	30T, 60T, 60MT
14811	Protective cover 3"	100E, 250ME	100T, 250MT
14812	Protective cover, 5"	250E, 500E, 1000ME	250T, 500T, 1000MT
14813	Protective cover, 8"	1000E, 1500E, 2500E	N/A



The protective covers we offer are optional peel and stick products that can be installed on the discharge port end of Stat-X aerosol generators to provide additional protection when they are going to be installed in harsh environments.

Covers should be installed within five (5) years of the manufacturing date. Preparation should ensure the generator surfaces are well cleaned and free of grease, oil, and other contaminants.

## **Stat-X Fire Detection Systems/Devices**

## Control Panels and Associated Components

### Potter PFC-4410RC Fire Suppression System Control Panel

Part Number	Description
3006142	Potter PFC-4410RC conventional fire suppression system control panel
5090155	Bezel for flush mounting the control panel
3005012	Spare EOL resistor diode assembly (one is required per release circuit; the control panel comes with two)

This fire suppression control panel can release up to forty (40) Stat-X aerosol generators simultaneously. When using this panel to release more than twenty (20) Stat-X aerosol generators, please refer to our Technical Bulletin 14 for information on what panel programs and additional system components are required to do so or contact our technical support team.





## Aerosol Fire Suppression

### Potter Control Panel Batteries

Two batteries are required per control panel.

Part Number	Description
5130092	Battery (12V) 5.0 AH
5130084	Battery (12V) 8.0 AH
5130090	Battery (12V) 12.0 AH
5130086	Battery (12V) 18.0 AH

### Relay Modules

Potter ARM-44 Relay Module (8 form-C relays)

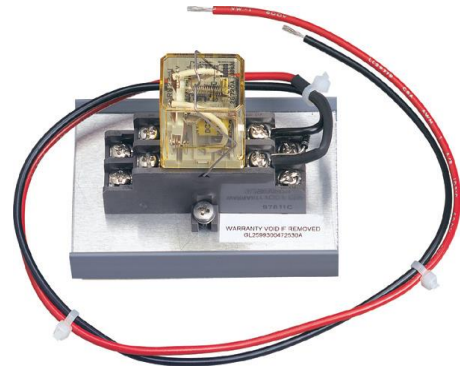
PN: 3006221

This expansion relay module for use with the PFC-4410RC panel provides additional dry contact relays for shutting down process equipment and HVAC systems upon a Stat-X fire suppression discharge.



Potter ARM-2 Relay Module  
PN: 3004725

The ARM-2 auxiliary relay module is a non-supervised DPDT Relay designed to be activated by 24VDC Indicating and/or releasing, polarity reversing circuits. The module can be used for fan shutdown, equipment shutdown door release, elevator recall, etc. When the ARM-2 module is used the additional power required for this relay module must be subtracted from the total available circuit current.



**Switches**

Potter Release Circuit Disable Switch  
PN: 3001002

This device is used to bypass the releasing circuit from a Potter PFC-4410 RC panel, a MOM-4 addressable monitored output module, or a NAC circuit on a PSN-100 that is being used as a release circuit to Stat-X aerosol generators.



Conventional Abort Switch  
PN: 3001000

Abort switches are used to abort a system discharge when the fire suppression control panel is in its programmable discharge delay sequence that is activated after the control panel is in a confirmed fire suppression system release condition. When using this switch with a Potter PFC-4410RC control panel, activation of the abort circuit stops the pre-discharge timer at ten seconds. If there is less than ten seconds remaining, the time goes back to ten seconds. Releasing the abort switch starts the discharge delay timer again at ten seconds. If this device is going to be used with a Potter addressable fire suppression system control panel it should be interfaced to an I/O circuit on the main board of the control panel.





Aerosol Fire Suppression

### Conventional Fire Alarm Pull Stations

Fire alarm pull stations provide the ability for building occupants to manually put the building fire alarm system into an alarm condition.

Stat-X systems should be installed with a pull station labeled as "FIRE SUPPRESSION RELEASE" rather than "FIRE ALARM".

Conventional Manual Release Station

PN: 1000655

Model RMS-IT-LP Red SPST Dual Action Manual Release Station with "FIRE SUPPRESSION RELEASE" lettering

Manual release stations are typically installed at each point of egress from a space that was going to be protected by a Stat-X fire suppression system. When activated, a manual release station will cause the fire suppression control panel to immediately discharge the Stat-X fire suppression system. If this device is going to be used with a Potter addressable fire suppression system control panel it must be either supervised using an addressable monitor module on the SLC loop or tied into an I/O circuit on the main board of the control panel.



The version for outdoor or wet conditions is PN: 1000401

Special Case Pull Station  
PN: 1000476

The Potter 1000476 is marked "FIRE ALARM" and may be used for rare or special cases where both the pull stations are used. The 1000476 to trigger the first fire alarm (in a cross-zoned system) and the 1000655 as an emergency manual release override.





Aerosol Fire Suppression

<b>Part Number</b>	<b>Model</b>	<b>Description</b>
1000651	RMS-1T-LP Yellow	Manual pull station – “Agent Release,” yellow
1004651-2	RMS-1T-LP Yellow	Manual pull station – “Stat-X Agent Release,” yellow
1004651-3	RMS-1T-WP-LP Yellow	Manual pull station – “Stat-X Agent Release,” yellow
1000655	RMS-1T-LP Red	Standard pull station – indoor use dual action manual release station with “FIRE SUPPRESSION RELEASE” lettering
1000627	RMS-1T-WP-LP Red	Standard pull station – outdoor or wet use Marked with “AGENT RELEASE”
1000644-3	RMS-EX-WP-LP	Manual pull station – “Fire Suppression Release,” red
1000476	P32-1T-LP	Dual action “FIRE ALARM”, SPST, hex-key reset, red
1000401	RMS-1T-WP	Single action, weatherproof, SPST, hex-key reset
1000444	P32-BB	Surface mount back box
1000445	P32-DBB	Deep surface mount back box
1000403	RMS-1T-WP-LF	Weatherproof dual red
1000480	RMS-LP	Pull station lift and pull dual action adapter, red



**Powered Spot-Type Conventional Fire Detectors**



<b>Part Number</b>	<b>Model</b>	<b>Description</b>
<b>1430036</b>	CPS-24	Conventional photoelectric smoke detector
<b>1430014</b>	SB-46	Smoke detector base, 6" 46 mA (for CPS-24 and PS-24H series)
<b>1000140</b>	CR-135	Combo rate of rise/fixed temp 135°F/57°C heat detector
<b>1000141</b>	CR-200	Combo rate of rise/fixed temp 200°F/93°C heat detector
<b>1000142</b>	CF-135	Fixed temperature 135°F/57°C heat detector
<b>1000143</b>	CF-200	Fixed temperature 200°F/93°C heat detector



### Thermotech Conventional Spot-Type Heat Detectors

Part Number	Description
302-135	135°F fixed temperature vertical mount
302-194	194°F fixed temperature vertical mount
302 ET-135	135°F fixed temperature vertical mount, all weather, 1/2" conduit
302-ET-194	194°F fixed temperature vertical mount, all weather, 1/2" conduit
302-AW-135	135°F fixed temperature vertical mount, all weather
302-AW-194	194°F fixed temperature vertical mount, all weather
302-EPM-135	135°F fixed temperature vertical mount, explosion proof
302-EPM-194	194°F fixed temperature vertical mount, explosion proof

We recommend that the fastest responding type of fire detection device that fits the protected hazard area be used to release Stat-X fire suppression systems. Spot-type heat and smoke detector device spacing, and installation requirements are to be per the guidelines of the device manufacturer, in accordance with the requirements of the NFPA 72, and/or in accordance with the requirements of the AHJ.

## Potter Horn/Strobes



Audio-visual alarm devices are used as general fire alarm annunciation devices as part of building fire alarm systems, and they are also typically installed inside the protected space that is being protected by a Stat-X fire suppression system. Authorities Having Jurisdiction (AHJs) can also require these devices to be provided outside each point of egress from a space that is protected by a Stat-X fire suppression system.

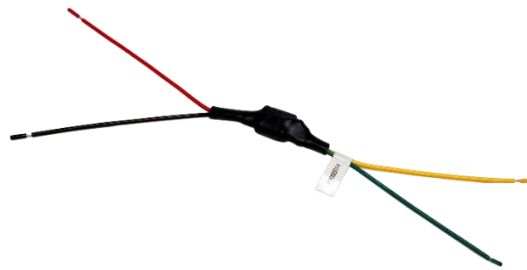
Part Number	Model	Description
4890010	S-24WR	Strobe wall mount, red
4890011	S-24WW	Strobe wall mount, white
4890012	S-24PWR	Strobe wall mount, plain housing, red
4890050	S-24WR-WP	Strobe outdoor wall mount, w/backbox, red
4890030	HS-24WR	Horn/strobe wall mount, red
4890031	HS24WW	Horn/strobe wall mount, white
4890032	HS24PWR	Horn/strobe wall mount, plain housing, red
4890060	HS-24WR-WP	Horn/strobe outdoor wall mount w/backbox, red
4890061	HS-24WW-WP	Horn/strobe outdoor wall mount w/backbox, white
4890262	Bezel	"AGENT" bezel for the horn strobe

## Potter Releasing Control Accessories

### Ematch Protection Device

PN: 3005014

An ematch protection device is required to be installed before each E model Stat-X aerosol generator on Stat-X fire suppression system releasing circuits on all UL listed systems. This device is used to protect Stat-X aerosol generator from power surges such as lightning strikes. For instructions on how to install this device please refer to our Technical Bulletin 23.



## LED Test Device

PN: 14591

The LED Test Device is used to verify the proper programming and wiring of a Stat-X generator(s), with either a Potter ARC-100 or Potter PFC-4410RC panel. The LED indicator illuminates to simulate a discharge of a Stat-X generator. The advantages of these LED Test devices are that they prevent false discharges, are reusable, and provide a more definitive result than using test matches.



## Test Match

PN: 14590

Test matches can be used as part of a functional system test for a Stat-X fire suppression system. One test match is put in place of each E model Stat-X aerosol generator on the releasing circuit(s) in order to perform a functional test of a Stat-X fire suppression system. For instructions on how these devices should be used please refer to our Technical Bulletin 24. Please note that these devices are one-time use devices.



### Potter ARC-100 Fire Alarm Control Panel

Potter Electric Signal introduced this panel and other components as noted below and on the price estimator



The ARC-100 is an analog/addressable releasing fire alarm system with a total system capacity of 100 addresses. Additional capacity on the system is achieved using multi-point SLC modules. The control panel utilizes the exclusive Potter protocol that includes a complete line of sensors and modules. Each SLC may be comprised of any combination of smoke sensor, heat detectors or modules and allows for a total of 50 ohms of impedance and may use any wire compliant with the National Electrical Code (NEC).

The ARC-100 product line is available and compatible with Stat-X generators. As you can see on page 47 of the Design, Installation, Operation, and Maintenance Manual (PN 19000).

<b>Part Number</b>	<b>Description</b>
<b>3992753</b>	ARC-100, Addressable FACP, 100 point
<b>3992770</b>	PAD 200 Photo Detector
<b>3992771</b>	PAD 200 Photo/Heat Detector
<b>3992735</b>	PAD 100 Heat Detector
<b>3992712</b>	PAD 100 Duct Relay Detector, 4 wire
<b>3992713</b>	PAD 100 Duct Detector, 2 wire (not for PAD11-DRTS; use PAD100-LEDK for remote purposes)
<b>3992732</b>	PAD 100 6" Base
<b>3992731</b>	PAD 100 4" Base
<b>3992730</b>	PAD 100 Isolator Base
<b>3992728</b>	PAD 100 Relay Base
<b>3992729</b>	PAD 100 Sounder Base
<b>3992735</b>	PAD 100 CO Detector
<b>3992700</b>	PAD 100 Micro Input Module
<b>3992721</b>	PAD 100 Pull Station, Single Action
<b>3992720</b>	PAD 100 Pull Station, Dual Action
<b>3992704</b>	PAD 100 Single Input Module
<b>3992703</b>	PAD 100 Dual Input Module
<b>3992701</b>	PAD 100 Two Relay, Two Input
<b>3992707</b>	PAD 100 Notification Appliance Circuit
<b>3992706</b>	PAD 100 Zone Module
<b>3992708</b>	PAD 100 Isolator Module
<b>3992705</b>	PAD 100 Relay Module
<b>3992710</b>	PAD 100 Addressable LED Module
<b>3992724</b>	PAD 100 Speaker Module
<b>3992709</b>	PAD 100 LED w/ Keyswitch
<b>3992711</b>	PAD 100 Duct Remote Test (use with PAD100-DUCTR)
<b>3992702</b>	PAD 100 One Relay, One Input



Aerosol Fire Suppression

### Potter Control Panel Batteries

Two batteries are required for each Potter control panel, and the control panels will house up to 18 AH batteries. Larger batteries require a separate battery cabinet.

Part Number	Description
5130092	Battery (12V) 5.0 AH
5130084	Battery (12V) 8.0 AH
5130090	Battery (12V) 12.0 AH
5130086	Battery (12V) 18.0 AH



## Sigma A-XT Extinguishant Control Panel

*UL/FM Approved*



Part Number	Description
<b>K1810-13</b>	Sigma A-XT Extinguishment Control Panel, Red, 115VAC or 230VAC (UL)

Sigma A-XT releasing panel offers outstanding value and performance for all small to medium fixed firefighting installations. When UL or FM requirements must be met the Sigma A-XT will meet your needs.

The extensive configuration options of the Sigma A-XT allow the functionality of the system to be extensively modified. The panel contains a large LED display to enable easy configuration and it displays the time remaining until release for added user safety.

With all the electronics mounted on a single, easily removable, steel plate Sigma A-XT panels are both robust and easy to install.

The documents are available to download at: <https://kentec.co.uk/product/sigma-a-xt/>

## Sigma XT Extinguishant Control Panel

Approved and certified to EN12094-1, EN54-2 and EN54-4



Part Number	Description
K11031M2	Sigma XT Extinguishing Control Panel, 3 zone

Sigma-XT releasing panel offers outstanding value and performance for all small to medium fixed firefighting installations. When EN requirements must be met the Sigma XT will meet your needs.

The extensive configuration options of the Sigma-XT allow the functionality of the system to be extensively modified. The panel contains a large LED display to enable easy configuration and it displays the time remaining until release for added user safety.

With all the electronics mounted on a single, easily removable, steel plate Sigma-XT panels are both robust and easy to install.

The documents are available to download at: <https://kentec.co.uk/product/sigma-xt/>

## Sigma XT+ Multi-Area Extinguishant Control Panels

*Sigma XT+ control panels are multi-area extinguishant control panels complying with EN12094-1, EN54-2, and EN54-4*



Part Number	Description
K1711-10	XT+ Releasing Control Panel, 1 Area, Addressable, Red, 115VAC or 230V

Up to 8 zones of conventional detection with up to 4 extinguishant areas are available. Stand-alone extinguishant control units are also available with 2 monitored inputs to receive initiating signals from remote fire detection control panels or addressable modules.

Each extinguishant area has a comprehensive set of inputs and outputs and is configurable via a simple programming interface. All extinguishant areas may have up to 7 serially connected Sigma SI status indication and control units or ancillary relay boards connected via a simple 4 core cable.

The documents are available to download at: <https://kentec.co.uk/product/xt-releasing-unit/>

## Compact Control Panels

### Solo Ultra Control Panel



Part Number	Description
14692	Solo Ultra

The Solo Ultra has effectively eliminated spurious activation which can occasionally be caused by the inherent characteristics of microprocessors, semiconductor power switches. Our tamper evident tag technology and our strict electronic design rules have proven highly effective. To eliminate the inherent hazards of microprocessor control the Solo Ultra uses a fully parallel path programmable logic device, which is coded using a language called VHDL, commissioned by US DOD and used for high reliability and safety critical applications.

The data sheets are available in the distributor portal.

## μ-FEP Fire Detection & Extinguishing Control Panel with an Integrated UPS



Part Number	Description
34680	μ-FEP

The μ-FEP (micro FEP) is designed to be a stand-alone fire detection-extinguishant release panel used in systems for electrical cabinets, engine rooms, small areas, or other equipment in which the user should be able to extinguish a fire rapidly and effectively.

The μ-FEP control panel is designed to meet the requirements of the European standard EN54-2 Fire Detection and Fire Alarm systems - Control and Indicating Equipment, and the EN12094-1 for Fixed firefighting systems Part 1: Requirements and test methods for electrical automatic control and the NEN-EN 15276-2 for aerosol fire extinguishing systems. The μ-FEP is a versatile fire alarm / extinguishing system with a high-performance level intended for small/compact firefighting systems.

The data sheets are available in the distributor portal.



Aerosol Fire Suppression

## Advantage<sup>Li</sup> Control Panel



Part Number	Description
830030	Advantage <sup>Li</sup> Control Panel, flex metal Conduit Hubs (includes batteries and 470k resistors)
830036	Advantage <sup>Li</sup> Mounting Kit, DIN Rail
830031	Battery Kit, replacement for 830030 Advantage <sup>Li</sup> , LiSoCl (requires 2 each)
830017-018	Cable Assy, Manual Switch to flying lead, 18-in
830045-05	End of Line Resistor Kit, 470k ohm, Adv <sup>Li</sup> & Adv <sup>DC</sup> (5-pk)
830030-02-01	Advantage <sup>Li</sup> Control Panel, No Wiring Hubs, Manual Release Included

The Advantage<sup>Li</sup> dual release, dual battery control panel was developed after years of rugged mining, transit, and military electronic control panel evolution. The Advantage<sup>Li</sup> control panel uses lithium thionyl chloride batteries which can operate for up to one year on the primary battery and includes an identical secondary backup battery as a UL required backup power source.

The Advantage<sup>Li</sup> control panel can be used to protect single detection and single releasing hazard or two separate detection and releasing zones. Two wire Class B supervision is provided for detection, manual release, and auxiliary functions.

The data sheets are available in the distributor portal.

## Advantage<sup>DC</sup> Control Panel



Part Number	Description
<b>830049</b>	Advantage <sup>DC</sup> Control Panel, Dual Detection/Dual Release, Flex Metal Conduit Hubs
<b>830049-02-01</b>	Advantage <sup>DC</sup> Control Panel, Dual Detection/Dual release, Flex Metal Conduit Hubs
<b>830017-018</b>	Cable Assy, Manual Switch to flying leads, 18-in
<b>830045-05</b>	End of Line Resistor Kit, 470k ohm, Adv <sup>Li</sup> /Adv <sup>DC</sup> (5-pk)
<b>830053</b>	Battery for Adv <sup>DC</sup> , 9 VDC NiMH, Rechargeable

The Advantage<sup>DC</sup> Dual Detection and Dual Release Control Panel part no. 830049-xx is the latest result of years of rugged mining, transit, and military electronic control panel evolution. The Advantage<sup>DC</sup> control panel is derived from the AdvantageLi control panel. The Advantage<sup>DC</sup> and AdvantageLi are functionally identical except for the power sources. The Advantage<sup>DC</sup> secondary power is supplied by a rechargeable backup battery. Software and programming interface is also identical.

The Advantage<sup>DC</sup> control panel can operate to protect single detection and single releasing hazard or can provide up to two separate detection and releasing zones. Two wire Class B supervision is provided for Detection, Manual Release and Agent Cylinder Pressure Switch zones. The Advantage control panel supports spot thermal, linear thermal and relay base smoke detectors on each of two detection input zones. The Advantage<sup>DC</sup> control panel can be remotely programmed for Detection and Releasing Zone mapping including cross zoning and auxiliary relay timing and operation.

The data sheets are available in the distributor portal.

## SDRP Panel



The SDRP provides automatic fire detection and releasing capability for up to four Stat-X generators without the need for direct power connection. Replaceable internal lithium batteries supply power to the control panel for up to three years in service, even after storage. Dual detection and release zones are provided for both automatic and manual actuation of the fire suppression system, as well as a manual release for both zones simultaneously. The SDRP is specifically designed for rugged commercial and military on and off-road vehicle use.

Part Number	Description
830001	SDRP Control Panel, Battery Powered, Mil Connector
830002	Test module
830003	Switch, Toggle Manual Release, Mil
830006	Control Panel Cable Assy, - Battery Powered Panel
830007	End of Line Resistor Assy, 470k
830009	Battery Kit, Replacement for 830001, LiSOCl
830010-135	Sensor, Spot Thermal, Thermotech 135°F Vertical Internal
830010-194	Sensor, Spot Thermal, Thermotech 194°F Vertical Internal
830011-135	Sensor, Spot Thermal, Thermotech 135°F Vertical All Weather
830011-194	Sensor, Spot Thermal, Thermotech 194°F Vertical All Weather
830012-135	Sensor, Spot Thermal, Thermotech 135°F Vertical All Weather 1/2 Conduit
830012-194	Sensor, Spot Thermal, Thermotech 194°F Vertical All Weather 1/2 Conduit
830013-135	Sensor, Spot Thermal, Thermotech 135°F Explosion Proof
830013-194	Sensor, Spot Thermal, Thermotech 194°F Explosion Proof
830020-05	Linear Thermal Wire, 5 ft., 155°F Type XCR
830020-10	Linear Thermal Wire, 10 ft., 155°F Type XCR
830021-05	Linear Thermal Wire, 5 ft., 190°F Type XCR
830021-10	Linear Thermal Wire, 10 ft., 190°F Type XCR
830022-05	Linear Thermal Wire, 5 ft., 220°F Type XCR
830022-10	Linear Thermal Wire, 10 ft., 220°F Type XCR
830023-05	Linear Thermal Wire, 5 ft., 280°F Type XCR
830023-10	Linear Thermal Wire, 10 ft., 280°F Type XCR



<b>Part Number</b>	<b>Description</b>
<b>830024-05</b>	Linear Thermal Wire, 5 ft., 356°F Type XCR
<b>830024-10</b>	Linear Thermal Wire, 10 ft., 356°F Type XCR
<b>830025-05</b>	Linear Thermal Wire, 5 ft., 135°F Type XLT
<b>830025-10</b>	Linear Thermal Wire, 10 ft., 135°F Type XLT
<b>830100</b>	Demo Board, FTS panel with spot thermal sensor & linear thermal wire

The data sheets are available in the distributor portal.



Aerosol Fire Suppression

## Control Panel Comparison

Feature	SDRP	Solo Ultra	PFC-4410RC Conventional	ARC-100 Addressable	Advantage <sup>LI</sup>	Advantage <sup>DC</sup>	µFEP	Sigma A-XT	Sigma XT
Manufacturer	Total Fire Systems	Nobel Fire Systems	Potter	Potter	Total Fire Systems	Total Fire Systems	KG Group	Kentec	Kentec
County of Manufacturer	United States	UK	United States	United States	United States	United States	Netherlands	UK	UK
Quantity of Stat-X Devices	4	6	2x10 or 4x10	Addressable	2 x 6 12 Total	2 x 6 12 Total	5	10	10
Detection zones	2	2	2	Addressable	2	2	2	3	3
Releasing zones	2	2	2	Addressable	2	2	1	1	1
Factory made harnesses	yes	no	no	no	no	no	no	no	no
VAC main power input	no	no	120-240	120-240	no	no	yes	115-240	230
VDC main power input	no	12 to 32	no	no	no	yes	yes	28 +/-2	28 +/-2
Battery power standalone	2 x Li Ion 3.5V	no	no	no	yes	yes	no	no	no
Battery backup	yes	no	yes	yes	yes	yes	yes	yes	yes
Networking	no	no	yes	yes	yes	yes	yes	yes	yes
Wireless communication	no	no	no	yes	yes	yes	yes	no	no
Lock-out	integrated	no	external	external	yes	yes	yes	yes	yes
Integrated manual release	no	yes	no	no	no	no	yes	yes	yes
Remote manual release	yes	yes	yes	yes	yes	yes	yes	yes	yes
Integrated audio notification	no	yes	no	no	yes	yes	yes	no	no
Auxiliary power output	yes	yes	yes	yes	yes	yes	yes	yes	yes
Remote alarm output	yes	yes	yes	yes	yes	yes	yes	yes	yes
Remote fault output	yes	yes	yes	yes	yes	yes	yes	yes	yes
Adjustable time delay	no	yes	yes	yes	yes	yes	yes	yes	yes
IP rating	65	65	no	no	67	67	66	30	30
Operating temperature range	-68F/+186F -55C/+85C	NA	+32F/+120F 0C/+49C	+32F/+120F 0C/+49C	-40F/+185F -40C/+85C	-40F/+185F -40C/+85C	14F/+122F -10C/+50C	14F/+122F -10C/+50C	14F/+122F -10C/+50C
Non-IMO/SOLAS Marine	no	yes	no	no	no	no	no	no	no
IMO/SOLAS Marine	no	no	no	no	no	no	no	no	no
Military	yes	no	no	no	no	no	no	no	no
Small vehicle engine	yes	yes	no	no	yes	yes	yes	no	no
Bus vehicle engine	yes	yes	no	no	no	no	yes	no	no
Off road/mining vehicle engine	yes	yes	no	no	no	no	yes	no	no
Mobile/Container Energy Management System	yes	yes	yes	yes	yes	yes	no	yes	yes
Mobile/Container Diesel Generator Sets	yes	yes	yes	yes	yes	yes	yes	yes	yes
Wind Turbine Generator Nacelle	yes	yes	yes	yes	yes	yes	yes	yes	yes
Electrical cabinet	yes	yes	yes	yes	yes	yes	yes	yes	yes
CNC machine tools	yes	yes	yes	yes	yes	yes	yes	yes	yes
UL listed	MIL SPEC	no	UL/FM/CE	UL/FM	UL 864 w/ exceptions	UL 864 w/ exceptions	CE	UL/FM	EN
Stat-X EX Zone 2 compatible	yes	no	yes	yes	no	no	no	no	no
ULC listed	no	no	yes	no	no	no	no	no	no
CE marked	no	yes	yes	no	no	no	yes	no	yes
US military standard compliant	yes	no	no	no	no	no	no	no	no
Marine classification society certified	no	yes	no	no	no	no	no	no	no
ADDS INS - Special devices	yes	yes	yes	yes	yes	yes	yes	yes	yes

## Linear Heat Detection Equipment

### Protectowire Linear Heat Detection Wire

Part Number	Description
<b>PHSC-155-EPC</b>	Linear heat detection cable type EPC 155°F/68°C
<b>PHSC-190-EPC</b>	Linear heat detection cable type EPC 190°F/88°C
<b>PHSC-220-EPC</b>	Linear heat detection cable type EPC 220°F/105°C
<b>PHSC-280-EPC</b>	Linear heat detection cable type EPC 280°F/138°C
<b>PHSC-356-EPC</b>	Linear heat detection cable type EPC 356°F/180°C
<b>PHSC-155-XCR</b>	Linear heat detection cable type XCR 155°F/68°C
<b>PHSC-190-XCR</b>	Linear heat detection cable type XCR 190°F/88°C
<b>PHSC-220-XCR</b>	Linear heat detection cable type XCR 220°F/105°C
<b>PHSC-280-XCR</b>	Linear heat detection cable type XCR 280°F/138°C
<b>PHSC-356-XCR</b>	Linear heat detection cable type XCR 356°F/180°C
<b>PHSC-135-XLT</b>	Linear heat detection cable type XLT 356°F/180°C

The data sheet is available at:

<https://www.protectowire.com/wp-content/uploads/2018/06/Protectowire-WireChart-DS-8476P-0322.pdf>

## Protectowire Splicing Connectors and Termination devices

Splicing connector, 2 point (10 pk.)  
PN: PWSC



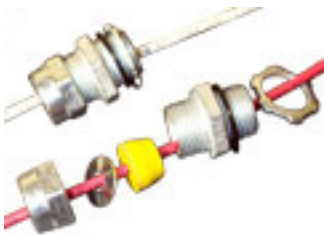
Splicing sleeves (10 pk.)  
PN: PWS



Flexible leads (pair)  
PN: PFL



Series JCT box sealed strain relief  
Connectors  
PN: SR-502



Non-metallic strain relief connector  
PN: SR-502N



SFTS sealant tape #2228  
PN: SFTS  
Used to seal all splices before  
applying splicing tape.



Splicing tape  
PN: 35 Red, white, or blue  
Used to protect splices after using  
SFTS-1-8-F sealant tape.



Low Temperature Splicing tape, black  
PN: 33+  
Used to protect splices in cold environments  
after using SFTS-1-8-F sealant tape.



## Protectowire General Purpose Fasteners

Clips, corner (white)  
PN: WAW-N



Clips, nylon (clear)  
PN: WAW-P



Clips Line  
PN: OHS-1  
Use with type EPR, EPC, EPM,  
and TRI cable.



Clips, 304 stainless steel with 1/4" hole  
PN: OHS-SS



Beam clamp assembly (steel)  
PN: BC-2  
Consists of beam clamp, WAW clip,  
and snap button



Beam clamp assembly (with nylon clip)  
PN: BC-3N



L-bracket, stainless (rim type seal)

PN: RMC-3

This bracket consists of a steel bracket, WAW clip, and snap button and are often used to mount Protectowire to the rim seals on floating roof tanks.



Insulated standoff

PN: TR-5G

Used to install Protectowire on or above cable conveyors or mechanical structures.



Adhesive cable mount

PN: EMS-A-CO

Requires Sikaflex adhesive.



Cable tie (for EMS-A-CO mounts)

PN: PLT1S-CO



PN: Sikaflex 291

Use with EMS cable mounts, should not be used in chemically harsh areas or areas where temperatures are less than 0°F (-17°C) or exceed 180°F (82°C)



## Protectowire Cable Tray Mounting Clips

Mounting clip (ea.)  
PN: HPC-2



Mounting clip assembly  
PN: CC-2N



Mounting clip assembly  
PN: CC-2W



Mounting clip assembly  
PN: CC-10N



Mounting clip assembly  
PN: CC-10W



Mounting clip assembly with screw and lock nut  
PN: CC-10N-S

Mounting clip assembly with screw and lock nut  
PN: CC-10W-S



## Protectowire Sprinkler Pipe Mounting Hardware

Series pipe straps (3/4" to 2" pipe)  
PN: PM-3A



Series pipe straps (2-1/2"-3-1/2" pipe)  
PN: PM-3B



Series pipe straps (4" to 6" pipe)  
PN: PM-3C



## Systems Enclosure Application Worksheet

Project Name: \_\_\_\_\_

What is the hazard fire class? A (surface), B, or C

What is the volume of the enclosed space?  
(Width x depth x tallest ceiling) W \_\_\_\_\_ x D \_\_\_\_\_ x H \_\_\_\_\_ = \_\_\_\_\_

List all unenclosed openings:

Rectangle or round (circle one) and the W \_\_\_\_\_ x H \_\_\_\_\_ or diameter \_\_\_\_\_

Rectangle or round (circle one) and the W \_\_\_\_\_ x H \_\_\_\_\_ or diameter \_\_\_\_\_

Rectangle or round (circle one) and the W \_\_\_\_\_ x H \_\_\_\_\_ or diameter \_\_\_\_\_

*Please contact your local authorized distributor with this information as they have our designer calculation program and can assist with your project.*

## Special Hazard Applications

Industry	System Applications
<b>Power Generation</b>	Gas turbine enclosures Generator rooms Switchgear rooms Wind turbine nacelles, cabinets, and power rooms Battery room (lead acid batteries) Machine rooms Electrical cabinets Transformer rooms
<b>Energy Storage Systems (ESS)</b>	Battery room (lead acid / lithium-ion batteries)
<b>EV Charging Stations</b>	Charging stations
<b>Transportation – Bus</b>	Bus engine compartments
<b>Transportation – Rail</b>	Rolling stock engines Control rooms
<b>Transportation &amp; Mobility</b>	Lifting and handling equipment Specialty vehicles Motor control centers Off-road vehicles engine compartments Tunneling equipment
<b>Telecommunications/Cell Sites</b>	Electrical cabinets Battery racks
<b>Manufacturing Machines</b>	CNC machines
<b>Manufacturing</b>	Flammable liquid storage Electrical rooms Dust protection (non-explosive) Dust collectors (non-explosive) Robots
<b>Commercial Buildings</b>	Elevator machine rooms Flammable liquid storage Generator rooms
<b>Laboratories</b>	Chemical storage Globe boxes Enclosed fume hoods
<b>Oil &amp; Gas</b> (upstream and midstream)	Remote pump houses Remote storage
<b>Utilities</b>	Substations and control rooms

## Stat-X First Responder<sup>®</sup>



# Stat-X

## First Responder<sup>®</sup>

The Stat-X First Responder<sup>®</sup> is our hand-held fire suppression tool (FST.) It discharges through ports on the lower side of the unit, instead of the bottom like the other generators.

<b>Part Number</b>	<b>Description</b>
<b>15001</b>	Stat-X First Responder <sup>®</sup> (4-pk)
<b>15026</b>	Case, yellow for two (2) units with Stat-X label
<b>15050</b>	Mounting bracket, heavy duty
<b>15055</b>	Carry pouch, heavy duty
<b>15090</b>	Locator Sticker, 9" x 4" reflective "Stat-X First Responder <sup>®</sup> "



**Aerosol Fire Suppression**

Stat-X First Responder®  
PN: 15001 (4-pk)



Case, yellow for two (2) units  
PN: 15026



Locator sticker  
PN: 15090



**First Responder®**

Mounting bracket  
PN: 15050



Carry pouch  
PN: 15055



## Special Hazard Applications

<b>Industry</b>	<b>Stat-X First Responder<sup>®</sup> Applications</b>
<b>Utilities</b>	Cable tunnels Manholes/high voltage underground services
<b>Power Generation</b>	Wind turbine nacelles and power rooms Battery room (lead acid / lithium-ion)
<b>Energy Storage Systems (ESS)</b>	Battery room (lead acid / lithium-ion batteries)
<b>Transportation – Bus</b>	Bus passenger compartments
<b>Transportation – Rail</b>	Locomotive power compartments
<b>Buildings</b>	Elevator machine rooms Flammable liquid storage
<b>First Responder Services</b>	Attic fires Police High rise building fires Fire departments First responders



## Marine Applications for USCG COA

*NOTE: These PRE-ENGINEERED SYSTEMS use the volume chart in the DIOM, PN 19402, not our standard calculation program. Please refer to our Thermal Manual owner's manual, PN 19003.*





## Thermal, Manual, and Thermal/Manual Generators



Aerosol Fire Suppression

## Thermal/Manual Operated Generators

These are our automatic units which are thermally activated. They self-activate when they reach a pre-selected temperature which is determined by the thermal head temperature chosen.

They can also be configured to activate manually with a cable pull system. See page 13-15.

Part Number	Description
15300	30T generator
15311	60MT generator
15410	100T generator
15510	250T generator
15511	250MT generator
15610	500T generator
15711	1000MT generator

30T Generator

PN: 15300



60MT Generator

PN: 15311



100T Generator

PN: 15410



250T Generator  
PN: 15510



250MT Generator  
PN: 15511



500T Generator  
PN: 15610



1000MT Generator  
PN: 15711



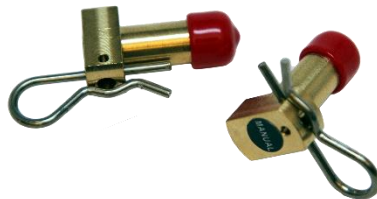
## Thermal Actuation Heads

Part Number	Description
20152	Head, Thermal Actuation, 158°F/70°C, brass
20153	Head, Thermal Actuation, 203°F/95°C, brass
20154	Head, Thermal Actuation, 254°F/123°C, brass



## Manual (Pull) Actuation Heads

Part Number	Description
14654	Manual head, vertical pull, brass
14655	Manual head, horizontal pull, brass



## Thermal with Manual Override Actuation Heads

Part Number	Description
20112	M/T Head 158°F/70°C horizontal pull, brass
20113	M/T Head 158°F/70°C vertical pull, brass
20114	M/T Head 203°F/95°C horizontal pull, brass
20115	M/T Head 203°F/95°C vertical pull, brass
20116	M/T Head 254°F/123°C horizontal pull, brass
20117	M/T Head 254°F/123°C vertical pull, brass



## Generator Mounting Brackets

Bracket Size		Thermal Generators
18001	2" Bracket	30T, 60MT
18002	2" Bracket – single mount	30T, 60MT
18005	3" Bracket	100T, 250MT
18006	3" Bracket – heavy duty	100T, 250MT
18010	5" Bracket	250T, 500T, 1000MT
18011	5" Bracket – heavy duty	250T, 500T, 1000MT

The standard bracket is used for building applications.

The heavy-duty bracket is used for transportation applications. It has a reinforced band clamp. This band clamp over the sleeve reinforces it in shock and vibration applications.

## Mounting Brackets

2" Mounting Bracket fits 30T/E & 60T/E, 60ME, and 60MT generators

PN: 18001 Only available in standard.

PN: 18002 Standard Single Mount



3" Mounting Bracket – Fits 100T/E & 250MT/ME generators

Standard  
PN: 18005

Heavy Duty  
PN: 18006



5" Mounting Bracket fits 250T/E, 500T/E, and 1000MT/ME generators

Standard  
PN: 18010

Heavy Duty  
PN: 18011



## Linear Heat Detection Equipment

### Protectowire Linear Heat Detection Wire

Part Number	Description
<b>PHSC-155-EPC</b>	Linear heat detection cable type EPC 155°F/68°C
<b>PHSC-190-EPC</b>	Linear heat detection cable type EPC 190°F/88°C
<b>PHSC-220-EPC</b>	Linear heat detection cable type EPC 220°F/105°C
<b>PHSC-280-EPC</b>	Linear heat detection cable type EPC 280°F/138°C
<b>PHSC-356-EPC</b>	Linear heat detection cable type EPC 356°F/180°C
<b>PHSC-155-XCR</b>	Linear heat detection cable type XCR 155°F/68°C
<b>PHSC-190-XCR</b>	Linear heat detection cable type XCR 190°F/88°C
<b>PHSC-220-XCR</b>	Linear heat detection cable type XCR 220°F/105°C
<b>PHSC-280-XCR</b>	Linear heat detection cable type XCR 280°F/138°C
<b>PHSC-356-XCR</b>	Linear heat detection cable type XCR 356°F/180°C
<b>PHSC-135-XLT</b>	Linear heat detection cable type XLT 356°F/180°C

The data sheet is available at:

<https://www.protectowire.com/wp-content/uploads/2018/06/Protectowire-WireChart-DS-8476P-0322.pdf>

### Pull Station and Accessories

Part Number	Description
<b>14685</b>	Sleeve, Oval, SS 304, 10-PAK, for 1/16" Wire Rope Diameter, L=3/8"
<b>34520</b>	Wire Rope 1/16" (7x7 strand)
<b>34522</b>	Thimble (1/16" wire rope)
<b>34530</b>	Back Box
<b>34540</b>	Pull Station
<b>34541</b>	Pull Station Cover

Please refer to our thermal/manual owner's manual and the automatic design manual for more technical information.



Aerosol Fire Suppression

## Conduit and Mounting Options

Part Number	Description
34500-01	1' Conduit, Galvanized
34500-02	2' Conduit, Galvanized
34500-04	4' Conduit, Galvanized
34512	Conduit Strap (two hole)
34511	Conduit Strap (one hole)
34510	Conduit Hanger
34513	Conduit Hanger with beam clamp
34515	Corner Pulley
34514	Coupling 1/2"
34516	Pulley Tees
34547	Conduit backbox fitting

## Conduit Tool

Part Number	Description
34545	Wire Rope Cutter and Crimper
34546	Conduit Cutter (rigid)



## Advantage<sup>Li</sup> Control Panel



Part Number	Description
830030	Advantage <sup>Li</sup> Control Panel, flex metal Conduit Hubs (includes batteries and 470k resistors)
830014	Interface Module, RS485 to MicroConn, Panel Programmer, Adv <sup>Li</sup>
	Helkama fire alarm wire
5100833-00A	Sounder/Beacon
5100832-00A	Sounder/Beacon
	Deburring Tool

The Advantage<sup>Li</sup> dual release, dual battery control panel was developed after years of rugged mining, transit, and military electronic control panel evolution. The Advantage<sup>Li</sup> control panel uses lithium thionyl chloride batteries which can operate for up to one year on the primary battery and includes an identical secondary backup battery as a UL required backup power source.

The Advantage<sup>Li</sup> control panel can be used to protect single detection and single releasing hazard or two separate detection and releasing zones. Two wire Class B supervision is provided for detection, manual release, and auxiliary functions.

The data sheets are available in the distributor portal.



**Stat-X<sup>®</sup>**  
**Aerosol Fire Suppression**

**Special Hazard Fire Protection  
for Enclosed Spaces**

**Locate a certified distributor partner** at [www.statx.com/distributors](http://www.statx.com/distributors)

**Corporate Office**

Fireaway Inc.  
5852 Baker Road  
Minnetonka, MN 55345 USA

**Office Hours**

Monday-Friday  
8 a.m. – 4:30 p.m. CST

**Contact Us**

+1 (952) 935-9745  
[sales@statx.com](mailto:sales@statx.com)

PN: 19504.4.8  
04/2023